



KITS

EDI Technical Documentation

EDIFACT Standard Version D96A

RETURN ORDER MESSAGE (RETANN)

Version: 1.0



1. Overview

This specification provides the details of the **RETURN PURCHASE ORDERS** to be used in Electronic Data Interchange (EDI) in EDIFACT – Version D96A format between Operating Company and the Vendor.

RETANN (Return Purchase Order message) is a message by which a party announces to another party details of goods for return due to specified reasons (e.g. returns for repair, returns because of damage, etc.). This specification guide provides the information of the purchase order change generated by the buyers for their vendors.

EDIFACT Version : D96A

2. Segments Layout

The segments are presented in the sequence in which they appear in the message. The segment or segment group tag consists of Segment Name; Segment code; Status; maximum field lengths; maximum number of repeats of the segment/element and the details/descriptions to provide extra required information.

Descriptions which has been flagged as **Not Required**, highlights the elements/segment which is not used in our company.

There is various status of Data elements as per EANCOM standard, but we use only three statuses as (M)andatory / (C)onditional / (R)equired :

CODE	STATUS	USE
M	Mandatory	Code Indicator defines that the segment/element must be used.
C	Conditional	Code Indicator defines that the segment/element is optional. It can or cannot be used by the Vendors as per their own requirements.
R	Required	Code indicator defines that the segment /element is conditional as per the EDIFACT message standards , but the message information is mandatory only for the company.

3. Interchange structure and service segments

- The interchange structure in an EDIFACT transmission is organised in several grouping levels. The service segments are the envelope of the groups.
- The first service segment possible in an interchange is the 'UNA' segment which is used to define the separators being used in the interchange.
- The second service segment, "UNB", indicates the beginning of the interchange.
- The last service segment, "UNH", indicates the beginning of a given message.



Technical Specification

- To each beginning service segment corresponds an ending service segment (note, UNA is not a beginning segment).

Service string advice: UNA
Interchange envelope: UNB UNZ
Message envelope: UNH UNT

A segment consists of:

- A segment tag: identifies the segment type
- Data element separators
- Component Data elements
- A segment terminator

4. Separators

Apostrophe ' = segment terminator
Plus sign + = segment tag and data element separator
Colon : = component data element separator
Question Mark ? = release character; immediately preceding one of the service characters, it restores their normal meaning.
E.g. 10?+10=20 means 10+10=20

5. Conventions

The following conventions apply in the present documentation:

- a..3 up to 3 alphabetic characters
- n..3 up to 3 numeric characters
- an..3 up to 3 alpha-numeric characters



6. Segment Structure

All the service segments and the segment groups has been detailed in the below descriptions. An Example of an EDIFACT segment has been mentioned to identify the segment separators and the data values.

DTM+137:19940101:102'

- DTM = Tag of the "Date" segment;
- + = separator;
- 137 = Qualifier to indicate the date is the Message Date;
- : = separator of data elements within a composite (here, the date qualifier and the date);
- 20160101 = the date;
- : = separator of data elements within a composite (here, the date and the date format qualifier);
- 102 = Qualifier to indicate the format of the date (CCYYMMDD);
- ' = Segment terminator.

7. Message Structure Chart

Here collections of segments repeat as a group, which is mentioned as segment groups. **Number of Repeats** defines the number of times a segment or segment group may repeat. This structure is specific only for our company.

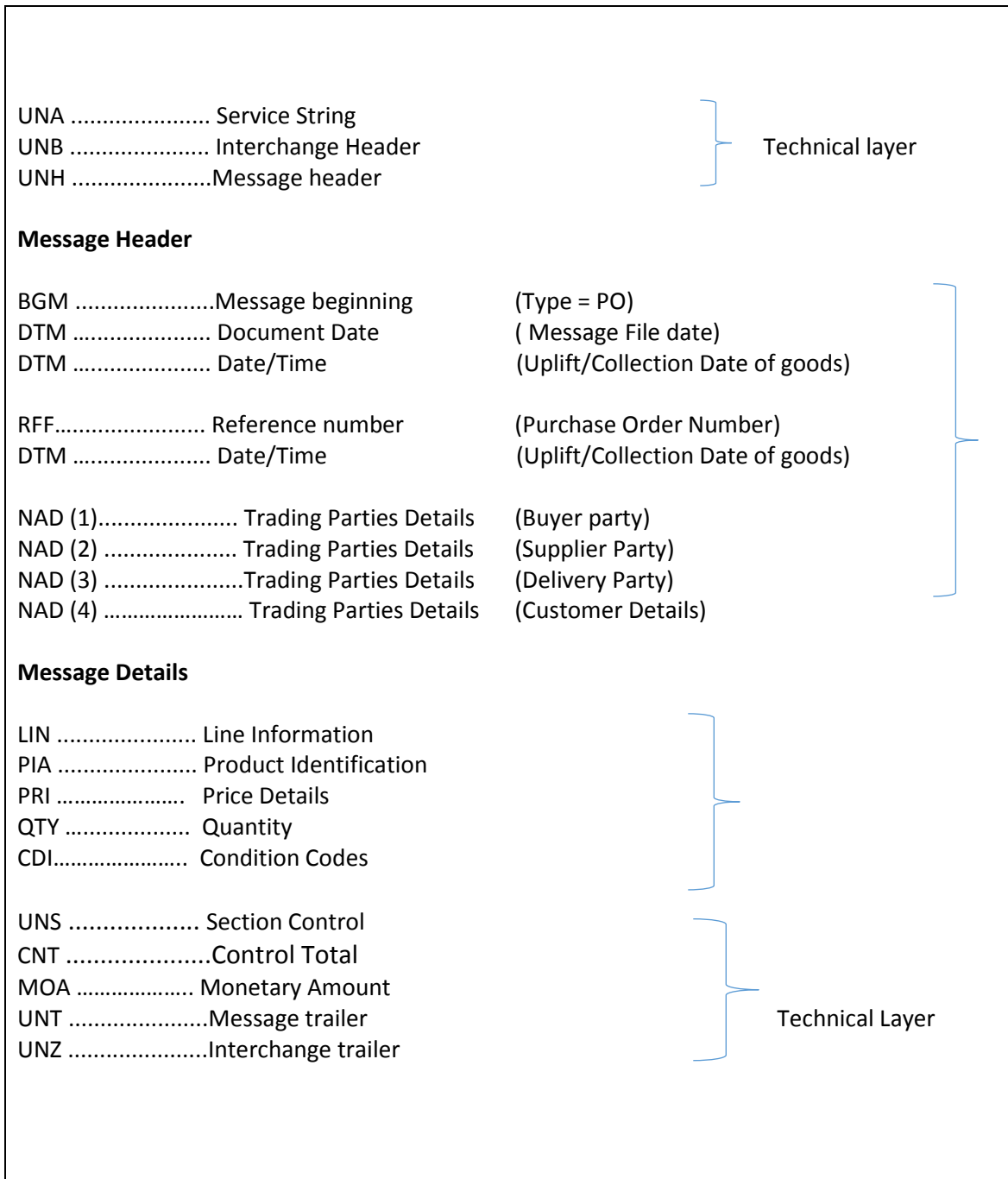
TAG	SEGMENT NAME	M/C/R	Number of Repeats
UNA	Service String	M	1
UNB	Interchange Header	M	1
UNH	Message header	M	1
BGM	Message beginning	M	1

Technical Specification

DTM	Document Date	C	1
DTM	Uplift/Collection Date	C	1
	SEGMENT GROUP 2	R	
RFF	Reference Details	M	1
DTM	Purchase Order Date	C	1
	SEGMENT GROUP 3	M	3
NAD	Name & Address Details	M	1
NAD	Name & Address Details	M	1
NAD	Name & Address Details	R	1
NAD	Name & Address Details	C	1
	START OF LINE INFORMATION		
	SEGMENT GROUP 11	M	
LIN	Line Details	M	1
PIA	Product Identification	C	1
PRI	Price Details	R	1
QTY	Quantity of the Item	M	1
CDI	Condition codes	C	1
	END OF LINE INFORMATION		
UNS	Section Control	M	1
CNT	Control Total	M	1
MOA	Monetary Details	R	1
UNT	Message trailer	M	1
UNZ	Interchange trailer	M	1



Segments structure layer is defined as below:





8. Message Segment Details

This specification contains only the segment details for the messages. Other Segments (as per the GS1 EANCOM standard) which are not used in the Message has not been defined here.

All the segments details have been listed in the same sequence they appear on the message. Specific Comments has been added in the Description column to clarify the requirements.

For some of the segments, the code has been fixed (as per the EDIFACT message standard codes) . This code has been defined with a tag name as **Default Value=** (code)

SEGMENT	SEGMENT NO.	SEGMENT NAME	M/C/R	PIC	DESCRIPTION	
UNA	:		M			
	UNA1	+	Data element separator	M	an.1	Is used to separate two simple or composite data elements (Default value = +)
	UNA2		Decimal notation	M	an.1	Is used to indicate the character used for decimal notation (Default value = .)
	UNA3		Release character	M	an.1	Used to restore the separator and the terminator signs to their original specification (Default value= ?)
	UNA4		Reserved for future use	M	an.1	Default value = (space)
	UNA5		Segment terminator	M	an.1	Used to indicate the end of segment data (Default value = ')

Remarks:

This segment is used to inform the receiver of the interchange that a set of service string characters which are different to the default characters are being used.

Example:

UNA:+.? '

SEGMENT	SEGMENT NO.	SEGMENT NAME	M/C/R	PIC	DESCRIPTION
UNB	+				
	S001	SYNTAX IDENTIFIER	M		
	0001	SYNTAX IDENTIFIER	M	an.4	Default Value =UNOC
	0002	: Syntax version number	M	n.1	Default Value = 3
	S002	INTERCHANGE SENDER			
	0004	+ Sender identification	M	an.35	GLN Identity of the sender
	0007	: Sender Qualifier	C	an.4	ANA/GLN Qualifier
	S003	INTERCHANGE RECIPIENT			
	0010	+ Recipient identification	M	an.35	Supplier's GLN code
	0007	: Sender Qualifier	C	an.4	GLN Qualifier
	S004	DATE/TIME OF MESSAGE			
	0017	+ Date	M	n.6	YYMMDD
	0019	: Time	M	n.6	HHMMSS
	0020	+ Interchange control reference	M	an.14	Unique reference identifying the interchange. Created by the interchange sender.
	S005	REFERENCE	C		
0022	+ Recipient's Password reference	M	an.14	RETANN	

Remarks:

This is a mandatory segment. It is used to envelope the interchange and identify the two trading parties.

Example:

Technical Specification

UNB+UNOC:3+5907808850019:14+5909000557000:14+190107:0121+1416+RETANN'

SEGMENT		SEGMENT NO.		SEGMENT NAME	M/C/R	PIC	DESCRIPTION
UNH	+	0062		Message reference Number	M	an.14	Sender's unique message reference. Sequence number of the messages in the interchange. The reference in the UNT segment should match with the reference number mentioned here.
		S009		MESSAGE IDENTIFIER	M		
		0065	+	Message Type Identifier	M	an.6	RETANN (Code to identify that the message is a Return Announcement message)
		0052	:	Message type version number	M	an.3	D (UN/EDIFACT Directory)
		0054	:	Message type release number	M	an.3	96A (Release 1996 – A)
		0051	:	Controlling agency	M	an.3	Default value= EN
		0057	:	Association assigned code	R	an.6	Default value= EAN001

Remarks:

This service segment is used to uniquely identify & specify the type of message. Segment No 0057 states that EANCOM version 001 is being used.

Example:

UNH+0001+RETANN:D:96A:EN:EAN001'



SEGMENT		SEGMENT NO.		SEGMENT NAME	M/C/R	PIC	DESCRIPTION
BGM	+	C002		BEGINNING OF MESSAGE	M		
		1001		Message name code	R	an.3	Default Code: 70E Code for Return Announcement message
		1131	:	Code list Qualifier	C	an.3	Not required
		3055	:	Code List	R	an.3	9=EAN
		1000	:	Message name	C	an.35	Not Required
		1004	+	Document Number	R	an.35	Return Purchase Order reference number
		1225	+	Message function code number	R	an.3	Default Value= 4 (Resemble code for change)

Remarks:

This segment is used to indicate the type, function, and the reference document number of Return Purchase order message.

Example:

BGM+70E::9+1000623447+4'

DTM SEGMENTS:

DTM	DATE/TIME details for the document	Number of Repeats = 2
------------	------------------------------------	-----------------------

SEGMENT		SEGMENT NO.		SEGMENT NAME	M/C/R	PIC	DESCRIPTION
DTM	+	C507		DATE/TIME/PERIOD	R		
		2005		Date qualifier	M	an.3	Default value= 137 (Resemble Document date code)



Technical Specification

		2380	:	Date	M	an.35	Date in CCYYMMDD format
		2379	:	Date format qualifier	M	an.3	Default value= 102 (Resemble Date in format CCYYMMDD)

Remarks:

This segment is used to specify the document date of the Return Order message. The below example shows that the document date is 11th August 2017.

Example:

DTM+137:20170811:102'

SEGMENT		SEGMENT NO.		SEGMENT NAME	M/C/R	PIC	DESCRIPTION
DTM	+	C507		DATE/TIME/PERIOD	R		
		2005		Date qualifier	M	an.3	Default value= 235 (Resemble Uplift/Collectiondate/time requested in the return purchase order)
		2380	:	Date	M	an.35	Date & Time in CCYYMMDD format
		2379	:	Date format qualifier	M	an.3	Default value= 102 (Resemble Date& Time in format CCYYMMDD)

Remarks:

This segment is used to specify the requested Uplift/Collection date & time for the return Order message.

Example:

DTM+235:20170901:102'

SEGMENT		SEGMENT NO.		SEGMENT NAME	M/C/R	PIC	DESCRIPTION
RFF	+	C506		REFERENCE	R		



Technical Specification

		1153		Reference qualifier	M	an.3	Default value= ON
		1154	:	Reference number	M	an.35	Return Purchase Order Number

Remarks:

This segment is used to specify the **return purchase order number**.

Example:

RFF+ON:1087657611'

SEGMENT		SEGMENT NO.		SEGMENT NAME	M/C/R	PIC	DESCRIPTION
DTM	+	C507		DATE/TIME/PERIOD	R		
		2005		Date qualifier	M	an.3	Default value= 171 (Resemble Document date for the return purchase order)
		2380	:	Date	M	an.35	Date & Time in CCYYMMDD format
		2379	:	Date format qualifier	M	an.3	Default value= 102 (Resemble Date& Time in format CCYYMMDD)

Remarks:

This segment is used to specify the return Order message creation date.

Example:

DTM+171:20170901:102'

NAD SEGMENTS :

NAD	Name & Address details	Number of Repeats= 4
-----	------------------------	----------------------

SEGMENT	SEGMENT NO.	SEGMENT NAME	M/C	PIC	DESCRIPTION
---------	-------------	--------------	-----	-----	-------------

Technical Specification

NAD	+			NAME & ADDRESS	M		
		3035		Party qualifier	M	an.3	Default value= BY (Resemble Buyer)
		C082		PARTY DETAILS	R		
		3039	+	Party Id Identification	M	an.35	GLN/ANA Number of the Buyer
		1131	:	Code list Qualifier	C	an.3	Not required
		3055	:	Party Id Code	M	an.3	Default value= 9
		C058		PARTY NAME			
		3124	+	Name and address line	C	an.35	Name of the Operating Company
		3124	:	Name and address line	C	an.35	Buyer Name & Address
		3124	:	Name and address line	C	an.35	Buyer Name & Address
		3124	:	Name and address line	C	an.35	Buyer Name & Address
		3124	:	Name and address line	C	an.35	Buyer Name & Address

Remarks:

This segment is used in identifying names, addresses and locations of the Buyer Party, relevant to the whole Receiving advice.

Buyer (BY) is referred to the party who creates & send then Order. The trading parties are identified by their unique EAN code. As for example below, the buyer 3020400000100 has send the Order.

Example:

NAD+BY+3020400000100::9'

SEGMENT		SEGMENT NO.	SEGMENT NAME	M/C	PIC	DESCRIPTION
NAD	+		NAME & ADDRESS	M		
		3035	Party qualifier	M	an.3	Default value= SU (Resemble Supplier)
		C082	PARTY DETAILS	R		

Technical Specification

	3039	+	Party Id Identification	M	an.35	GLN/ANA Number of the Supplier
	1131	:	Code list Qualifier	C	an.3	Not required
	3055	:	Party Id Code	M	an.3	Default value= 9
	C058		PARTY NAME	C		
	3124	+	Name and address line	C	an.35	Name of the Supplier
	3124	:	Name and address line	C	an.35	Supplier Name & Address
	3124	:	Name and address line	C	an.35	Supplier Name & Address
	3124	:	Name and address line	C	an.35	Supplier Name & Address
	3124	:	Name and address line	C	an.35	Supplier Name & Address

Remarks:

This segment is used to identify the trading partners.

Identification of Supplier Party (Name/Address & Locations) is mentioned. SU (Supplier Party) refers to whom the Order is being sent.

Example:

NAD+SU+3017002657108::9'

SEGMENT	SEGMENT NO.	SEGMENT NAME	M/C	PIC	DESCRIPTION	
NAD	+	NAME & ADDRESS	M			
	3035	Party qualifier	M	an.3	Default value= DP (Resemble Delivery Party)	
	C082	PARTY DETAILS	R			
	3039	+	Party Id Identification	M	an.35	GLN/ANA Number of the trading party
	1131	:	Code list Qualifier	C	an.3	Not required
	3055	:	Party Id Code	M	an.3	Default value= 9

Technical Specification

		C058		PARTY NAME			
		3124	+	Name and address line	C	an.35	Name of the Operating Company
		3124	:	Name and address line	C	an.35	Delivery location Name & Address
		3124	:	Name and address line	C	an.35	Delivery location Name & Address
		3124	:	Name and address line	C	an.35	Delivery location Name & Address
		3124	:	Name and address line	C	an.35	Delivery location Name & Address

Remarks:

Identification of Delivering Vendor/place (Name/Address & Locations) is mentioned. DP refers to the Physical place of delivery. This is also identified by a unique place function EAN code.

Example:

NAD+DP+3020400011908::9'

SEGMENT		SEGMENT NO.		SEGMENT NAME	M/C	PIC	DESCRIPTION
NAD	+			NAME & ADDRESS	C		
		3035		Party qualifier	M	an.3	Default value= UC (Resemble Ultimate Consignee)
		C082		PARTY DETAILS	R		
		3039	+	Party Id Identification	C	an.35	Not Required
		1131	:	Code list Qualifier	C	an.3	Not required
		3055	:	Party Id Code	M	an.3	Default value= 9
		C058		PARTY NAME			
		3124	+	Name and address line	C	an.35	Customer Name
		3124	:	Name and address line	C	an.35	Customer Address

Technical Specification

	3124	:	Name and address line	C	an.35	Customer Address
	3124	:	Name and address line	C	an.35	Customer Address
	3124	:	Name and address line	C	an.35	Customer Address

Remarks:

Identification of Customer (Name/Address) is mentioned. This information is only provided in case of Customer Return Orders.

Example:

NAD+UC+++Mr. John Walter+18 Winn Road+Greenock++PA16 9LA+GB'

SEGMENT	SEGMENT NO.	SEGMENT NAME	M/C/R	PIC	DESCRIPTION	
LIN	+	LINE ITEM DETAILS	M			
	1082	+	Line item number	R	n.6	Line Item number as per the order.
	1229	+	Action Request code	C	an.3	Not Required
	C212		ITEM NUMBER IDENTIFICATION	R		
	7140	+	Item number	R	an.35	EAN Code for the article
	7143	:	Item loading count Number type code	R	an.3	Default value= EN (Code for International Article Numbering Association-EAN)
	1131	:	Code list identification code	C	an.17	Not required
	3055	:	Code list responsible agency code	C	an.3	Not required
	C829		SUB LINE INFORMATION	C		
	5495	+	Sub Line Indicator, coded	C	an.3	Not required

Technical Specification

		1082	:	Line item Number	C	an.2	Not required
		1222	+	Configuration Level	C	an.6	Not required
		7083	+	Configuration, coded	C	an.3	Not required

Remarks:

This segment is used to provide the Line item number & EAN details of the item ordered.

The EAN code for an article is usually 8- digits; 13-digits or 14- digits long.

Example:

LIN+00001++7290005554759:EN'

SEGMENT		SEGMENT NO.		SEGMENT NAME	M/C/R	PIC	DESCRIPTION
PIA	+			ADDITIONAL PRODUCT INFORMATION	C		
		4347		Product ID function qualifier	M	an.3	Default value= 1 (Resemble code for product identification)
		C212		ITEM Number	M		
		7140	+	Article Number	R	an.35	Supplier article number
		7143	:	Code Type	R	an.3	Default value= SA (Resemble Supplier Article Number)
		1131	:	Code List Qualifier	C	an.3	Not required
		3055	:	Code List	C	an.3	Not required

Remarks:

This segment is used to specify supplier 's Item number for the item ordered.

Example:

PIA+1+25588903:SA'

SEGMENT		SEGMENT NO.		SEGMENT NAME	M/C/R	PIC	DESCRIPTION
PRI	+			PRICE INFORMATION	M		
		5125		Price qualifier	M	an.3	Default value= AAA (Resemble Net Amount code)
		5118	:	Total Price	R	n.15	Net Price for the Line item
		5375	:	Price type (code)	C	an.3	Not Required
		5387	:	Qualifying price type	C	an.3	Not Required
		5284	:	Base Price	C	n.9	Not Required
		6411	:	Qualifier of unit of measure	C	an.3	Not Required

Remarks:

This segment is used to provide the Net Price for the line Item.

Example:

PRI+AAA:98.20'

SEGMENT		SEGMENT NO.		SEGMENT NAME	M/C/R	PIC	DESCRIPTION
QTY	+	C186		QUANTITY DETAILS	R		
		6063		Quantity Qualifier	M	an.3	Default value= 61 (Resemble Returned Quantity)
		6060	:	Quantity	M	n.15	Quantity numeric value

Technical Specification

		6411	:	Measure unit qualifier	R	an.3	Unit of Measure as mentioned in the Order e.g EA= Each
--	--	------	---	------------------------	---	------	---

Remarks:

This segment is used to specify the total quantity for the current line item.

Example:

QTY+61:60:EA'

SEGMENT		SEGMENT NO.		SEGMENT NAME	M/C/R	PIC	DESCRIPTION
CDI	+	C186		CONDITION CODE DETAILS	C		
		7001		Physical or Logical State Qualifier	M	an.3	Default value= 3E (Upon return -GS1 Temporary Code)
		C564	+	PHYSICAL OR LOGICAL STATE INFORMATION			
		7007	+	Physical or logical state, coded	M	n.15	12E = Return goods GS1 (former EAN Code)
		1131	:	Code list qualifier	C	an.3	Not Required
		3055	:	Code list responsible agency, coded	C	an.3	Not Required
		7066	:	Physical or logical state	C	an.3	Not Required

Remarks:

This segment is used to indicate conditions (actions) requested by the message sender for the current line item.

Example:

CDI+3E+12E::9'



Technical Specification

SEGMENT		SEGMENT NO.		SEGMENT NAME	M/C	PIC	DESCRIPTION
UNS	+			SECTION CONTROL	M		
		0081		Section Identification	M	a.1	Default value= S (Resemble section separation)

Remarks:

This segment is used to separate the detail and summary sections of the message.

Example:

UNS+S'

SEGMENT		SEGMENT NO.		SEGMENT NAME	M/C	PIC	DESCRIPTION
CNT	+	C270		CONTROL TOTAL	M		
		6069		Control Qualifier	M	a.3	Default code 2 = Number of line items in message
		6066	:	Control Value	M	a.18	Total number

Remarks:

This segment is used to separate the detail and summary sections of the message.

Example:

CNT+2:7'

SEGMENT		SEGMENT NO.		SEGMENT NAME	M/C	PIC	DESCRIPTION
MOA	+	C516		MONETARY AMOUNT	M		
		5025		Monetary Amount Type Qualifier	M	a.3	Default code as below:

Technical Specification

						77 = Message Total Monetary Amount 210= Credit total Amount (This qualifier needs to be used for OCPO- Casto France-CF01 & Brico France-DF01)
	6345	:	Currency Identification Code	C	a..3	Currency Qualifier
	6343	:	Currency type code qualifier	C	a..3	Not Required
	4405	:	Status description code	C	a..3	Not Required

Remarks:

This segment is used to provide the monetary amount& Currency for the return order. Payable amount is the gross total amount.

Example:

MOA+77:300.00:PLN' (For **all** OPCO- **except** CastoFrance/BricoFrance))
MOA+210:300.00:EUR' (For OPCO- CastoFrance/BricoFrance)

SEGMENT	SEGMENT NO.	SEGMENT NAME	M/C/R	PIC	DESCRIPTION
UNT	+	MESSAGE TRAILER	M		
	0074	Number of segments in a message	M	n.6	Total number of segments in the message
	0062	Message reference number	M	an.14	The message reference numbered detailed here should equal the one specified in the UNH segment

Remarks:

This segment is used to separate the detail and summary sections of the message.

Example:

UNT+12+ 00000000000001'

SEGMENT		SEGMENT NO.		SEGMENT NAME	M/C/R	PIC	DESCRIPTION
UNZ	+			INTERCHANGE TRAILER	M		
		0036		Interchange Control Count	M	n.6	Number of messages or functional groups within the interchange.
		0020	+	Interchange Control reference	M	an.14	The message reference numbered detailed here should equal the one specified in the UNB segment

Remarks:

This segment is used to provide the trailer of an interchange.

Example:

UNZ+1+00000092345555'

EXAMPLES:

Example 1: Return Purchase Order

```

UNA:+.? '
UNB+UNOC:3+5907808850019:14+5909000557000:14+190107:0121+1416+RETANN'
UNH+0001+RETANN:D:96A:EN:EAN001'
BGM+70E::9+100089665+9
DTM+137:20190107:102'
DTM+235:20190115:102'
RFF+ON+100089665'
DTM+171:20190107:102'
NAD+BY+5907808850019::9'
NAD+SU+5909000557000::9'
NAD+DP+3020400810600::9'
LIN+00001++7290005554759:EN'
PIA+1+IH4731234:SA'
PRI+AAA:10'
QTY+61:10:EA'
CDI+3E+12E::9'
LIN+00002+++4290005554758:EN'

```

```
PIA+1+IH4731266:SA'  
PRI+AAA:10'  
QTY+61:20:EA'  
CDI+3E+12E::9'  
UNS+S'  
CNT+2:2'  
MOA+77:300.00:PLN'  
UNT+23+0001'  
UNZ+1+1416'
```

Example 2: Return Purchase Order (for CastoFrance)

```
UNA:+.? '  
UNB+UNOC:3+3020400999909:14+5909000557000:14+190107:0121+1416+RETANN'  
UNH+0001+RETANN:D:96A:EN:EAN001'  
BGM+70E::9+100089665+9  
DTM+137:20190107:102'  
DTM+235:20190115:102'  
RFF+ON+100089665'  
DTM+171:20190107:102'  
NAD+BY+3020400999909::9'  
NAD+SU+5909000557000::9'  
NAD+DP+3020400810600::9'  
LIN+00001++7290005554759:EN'  
PIA+1+IH4731234:SA'  
PRI+AAA:10'  
QTY+61:10:EA'  
CDI+3E+12E::9'  
LIN+00002++4290005554758:EN'  
PIA+1+IH4731266:SA'  
PRI+AAA:10'  
QTY+61:20:EA'  
CDI+3E+12E::9'  
UNS+S'  
CNT+2:2'  
MOA+210:300.00:EUR'  
UNT+23+0001'  
UNZ+1+1416'
```

Remarks: Here for the OPCO - Casto France & Brico France, the qualifier being used to denote the Monetary Amount is different i.e MOA+**210**:300.00:EUR' Hence the above example shows the details where the return order has been sent for the OPCO- CastoFrance.



Example 3: Customer Return Purchase Order (for Drop-ship vendors)

```
UNA:+.? '  
UNB+UNOC:3+5907808850019:14+5909000557000:14+190107:0121+1416+RETANN'  
UNH+0001+RETANN:D:96A:EN:EAN001'  
BGM+70E::9+100089665+9  
DTM+137:20190107:102'  
DTM+235:20190115:102'  
RFF+ON+100089665'  
DTM+171:20190107:102'  
NAD+BY+5907808850019::9'  
NAD+SU+5909000557000::9'  
NAD+DP+3020400000001::9'  
NAD+UC+++Mr. John Walter +18 Winn Road+Greenock++PA16 9LA+GB'  
LIN+00001++7290005554759:EN'  
PIA+1+IH4731234:SA'  
PRI+AAA:10'  
QTY+61:10:EA'  
CDI+3E+12E::9'  
LIN+00002++4290005554758:EN'  
PIA+1+IH4731266:SA'  
PRI+AAA:10'  
QTY+61:20:EA'  
CDI+3E+12E::9'  
UNS+S'  
CNT+2:2'  
MOA+210:300.00:EUR'  
UNT+24+0001'  
UNZ+1+1416'
```

Remarks: In Customer Return Orders, we use an extra NAD segment to provide the information about the Customer. NAD+UC is used to inform the customer details as name/address etc. Hence in the above example you will find the segment details.

NAD+**UC**+++Mr. John Walter +18 Winn Road+Greenock++PA16 9LA+GB'

Also in the NAD+DP , the dummy fixed GLN is provided.