

KITS

EDI Technical Documentation

EDIFACT Standard Version D96A

DESPATCH ADVICE MESSAGE (DESADV) (NON HU)

Version 1.2

1. Overview

This specification provides the details of the **Despatch Advice message (DESADV)** to be used in Electronic Data Interchange (EDI) in EDIFACT – Version D96 format between Operating Company and the Vendor.

DESADV (Despatch Advice) is a message from the seller to the buyer. It provides information on goods shipped or ready for shipment under conditions accepted by buyer and seller. It provides the details of the shipment. It is required so that the company knows when the material has been despatched or will be ready. It also helps in matching of despatched goods and the following invoice.

EDIFACT Version : D96A
EANCOM SUBSET: 005

2. Segments Layout

The segments are presented in the sequence in which they appear in the message. The segment or segment group tag consists of Segment Name; Segment code; Status; maximum field lengths; maximum number of repeats of the segment/element and the details/descriptions to provide extra required information.

Descriptions which has been flagged as **Not Required**, highlights the elements/segment which is not used in KITS.

There is various status of Data elements as per EANCOM standard, but for KITS messages we use only three statuses as (M)andatory / (C)onditional / (R)equired :

CODE	STATUS	USE
M	Mandatory	Code Indicator defines that the segment/element must be used.
C	Conditional	Code Indicator defines that the segment/element is optional. It can or cannot be used by the Vendors as per their own requirements.
R	Required	Code indicator defines that the segment /element is conditional as per the EDIFACT message standards , but the message information is mandatory only for the company (KITS).

3. Interchange structure and service segments

- The interchange structure in an EDIFACT transmission is organised in several grouping levels. The service segments are the envelope of the groups.

- The first service segment possible in an interchange is the 'UNA' segment which is used to define the separators being used in the interchange.
- The second service segment, "UNB", indicates the beginning of the interchange.
- The last service segment, "UNH", indicates the beginning of a given message.
- To each beginning service segment corresponds an ending service segment (note, UNA is not a beginning segment).

Service string advice:	UNA
Interchange envelope:	UNB UNZ
Message envelope:	UNH UNT

A segment consists of:

- A segment tag: identifies the segment type
- Data element separators
- Component Data elements
- A segment terminator

4. Separators

Apostrophe ' = segment terminator
Plus sign + = segment tag and data element separator
Colon : = component data element separator
Question Mark ? = release character; immediately preceding one of the service characters, it restores their normal meaning.
E.g. 10?+10=20 means 10+10=20

5. Conventions

The following conventions apply in the present documentation:

- a..3 up to 3 alphabetic characters
- n..3 up to 3 numeric characters
- an..3 up to 3 alpha-numeric characters

6. Segment Structure

All the service segments and the segment groups has been detailed in the below descriptions. An Example of an EDIFACT segment has been mentioned to identify the segment separators and the data values.

DTM+137:19940101:102'

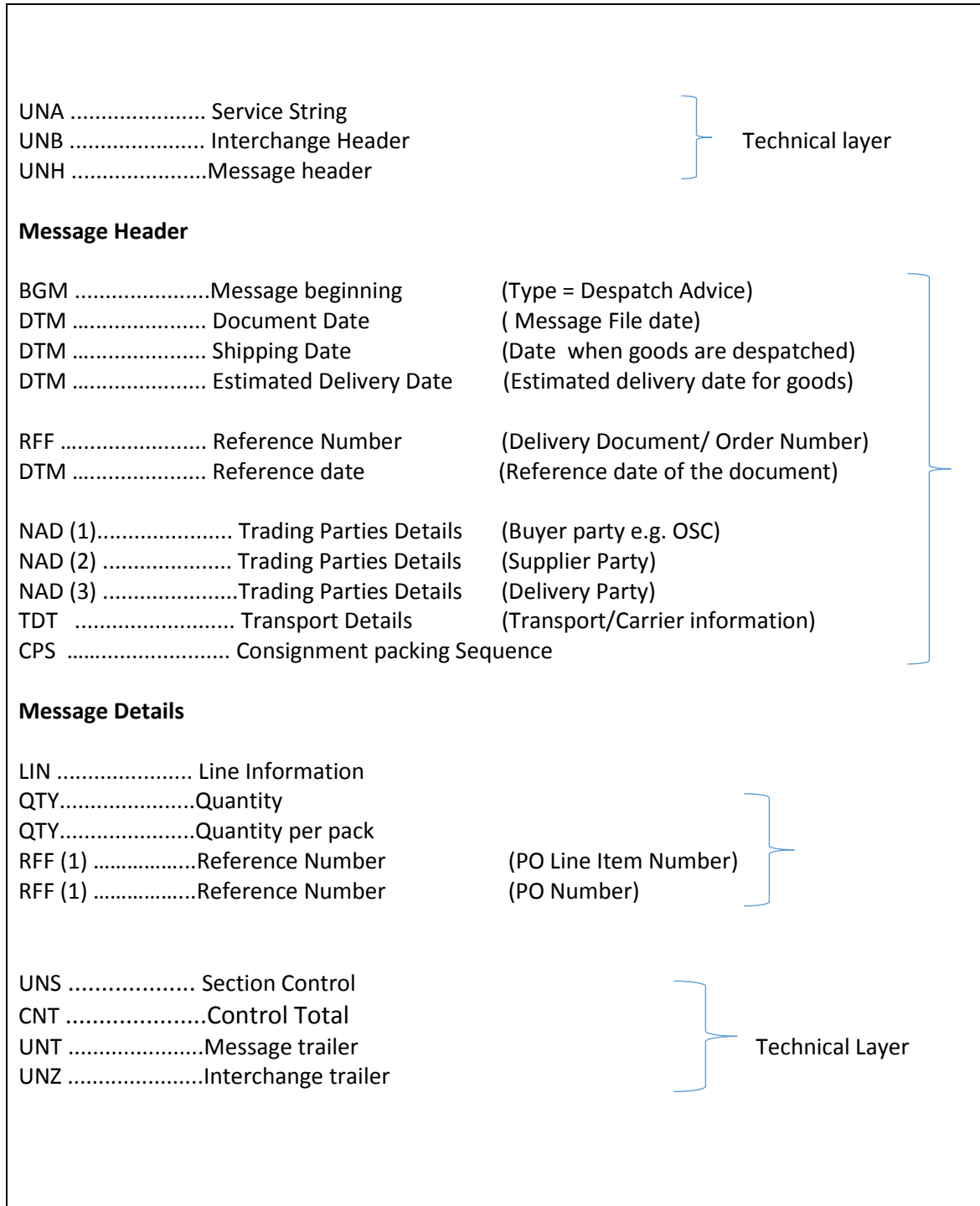
DTM	=	Tag of the "Date" segment;
+	=	separator;
137	=	Qualifier to indicate the date is the Message Date;
:	=	separator of data elements within a composite (here, the date qualifier and the date);
20160101	=	the date;
:	=	separator of data elements within a composite (here, the date and the date format qualifier);
102	=	Qualifier to indicate the format of the date (CCYYMMDD);
'	=	Segment terminator.

7. Message Structure Chart

Here collections of segments repeat as a group, which is mentioned as segment groups. **Number of Repeats** defines the number of times a segment or segment group may repeat. This structure is specific only for KITS messages.

TAG	SEGMENT NAME	M/C/R	Number of Repeats
UNA	Service String	M	1
UNB	Interchange Header	M	1
UNH	Message header	M	1
BGM	Message beginning	M	1
DTM	Document Date	M	3
	SEGMENT GROUP 1	M	2
RFF	Reference Details	M	1
DTM	Document Date	R	1
	SEGMENT GROUP 2	M	3
NAD	Name & Address Details	M	1
NAD	Name & Address Details	M	1
NAD	Name & Address Details	M	1
	SEGMENT GROUP 7	C	1
TDT	Details of Transport	C	1
	SEGMENT GROUP 10	C	1
CPS	Consignment Packing Sequence	M	1
	START OF LINE INFORMATION		
	SEGMENT GROUP 15	M	9999
LIN	Line Details	M	1
QTY	Quantity of the Item	R	1
QTY	Quantity per pack	R	1
RFF	Reference Details	M	1
RFF	Reference Details	M	1
	END OF LINE INFORMATION		
UNS	Section Control	M	1
CNT	Control Total	R	1
UNT	Message trailer	M	1
UNZ	Interchange trailer	M	1

Segments structure layer is defined as below:



8. Message Segment Details

This specification contains only the segment details for the messages specific for KITS. Other Segments (as per the GS1 EANCOM standard) which are not used in the Message has not been defined here.

All the segments details have been listed in the same sequence they appear on the message. Specific Comments has been added in the Description column to clarify KITS requirements.

For some of the segments, the code has been fixed (as per the EDIFACT message standard codes) . This code has been defined with a tag name as **Default Value=** (code)

SEGMENT	SEGMENT NO.	SEGMENT NAME	M/C/R	PIC	DESCRIPTION	
UNA	:		M			
	UNA1	+	Data element separator	M	an.1	Is used to separate two simple or composite data elements (Default value = +)
	UNA2		Decimal notation	M	an.1	Is used to indicate the character used for decimal notation (Default value = .)
	UNA3		Release character	M	an.1	Used to restore the separator and the terminator signs to their original specification (Default value= ?)
	UNA4		Reserved for future use	M	an.1	Default value = (space)
	UNA5		Segment terminator	M	an.1	Used to indicate the end of segment data (Default value = ')

Remarks:

This segment is used to inform the receiver of the interchange that a set of service string characters which are different to the default characters are being used.

Example:

UNA:+.? '

SEGMENT	SEGMENT NO.	SEGMENT NAME	M/C/R	PIC	DESCRIPTION
UNB	+				
	S001	SYNTAX IDENTIFIER	M		
	0001	SYNTAX IDENTIFIER	M	an.4	Default Value =UNOA
	0002	: Syntax version number	M	n.1	Default Value = 3
	S002	INTERCHANGE SENDER			
	0004	+ Sender identification	M	an.35	Supplier's GLN code
	0007	: Sender Qualifier	C	an.4	GLN Qualifier Default value: 14
	S003	INTERCHANGE RECIPIENT			
	0010	+ Recipient identification	M	an.35	GLN code of the OPCO
	0007	: Sender Qualifier	C	an.4	GLN Qualifier Default value: 14
	S004	DATE/TIME OF MESSAGE			
	0017	+ Date	M	n.6	YYMMDD
	0019	: Time	M	n.6	HHMM
	0020	+ Interchange control reference	M	an.14	Unique reference identifying the interchange. Created by the interchange sender.

Remarks:

This is a mandatory segment. It is used to envelope the interchange and identify the two trading parties.

Example:

UNB+UNOA:3+3017002657108:14+3020400000100:14+170508:1053+014097'

SEGMENT		SEGMENT NO.		SEGMENT NAME	M/C/R	PIC	DESCRIPTION
UNH	+	0062		Message reference Number	M	an.14	Sender's unique message reference. Sequence number of the messages in the interchange. The reference in the UNT segment should match with the reference number mentioned here.
		S009		MESSAGE IDENTIFIER	M		
		0065	+	Message Type Identifier	M	an.6	DESADV (Code to identify that the message is a Despatch Advice)
		0052	:	Message type version number	M	an.3	D (UN/EDIFACT Directory)
		0054	:	Message type release number	M	an.3	96A (Release 1996 – A)
		0051	:	Controlling agency	M	an.2	Default value= UN
		0057	:	Association assigned code	R	an.6	Default value= EAN005
				0068	+	Common access reference	C
<p>Remarks: This service segment is used to uniquely identify & specify the type of message.</p> <p>Example: UNH+1+DESADV:D:96A:UN:EAN005'</p>							

SEGMENT		SEGMENT NO.		SEGMENT NAME	M/C/R	PIC	DESCRIPTION
BGM	+	C002		BEGINNING OF MESSAGE	M		
		1001		Message name code	R	an.3	Possible values as per standard: 351=Despatch advice YA6 = Despatch advice for pre-packed cross docking (EAN code) YB3 = Notice of readiness advice for pre-packed cross-docking (EAN code) 345=Notice of readiness advice for pre-packed cross-docking
		1131	:	Code list Qualifier	C	an.3	Not required
		3055	:	Code List	C	an.3	Not required
		1000	:	Message name	C	an.35	Not required
		1004	+	Document Number	R	an.35	Despatch Advice reference number Here the shipment reference should be same as that provided in (RFF+DQ) segment. Details shared in pg.13.
		1225	+	Message function code number	R	an.3	Possible values as per standard: 9 = Original 31 = Copy Values accepted: 9 = Original

Remarks:

This segment is used to indicate the type, function, and the reference document number of Shipment Notification /Despatch Advice message. The Shipment reference number should be same in both BGM & RFF+DQ segments.

Example:

BGM+351+1237611+9'

(Shipment reference for OPCO- Castorama France)

As mainly Castorama France & Brico France vendors can send their own reference number)

BGM+351+2005701806150001+9'

(Shipment reference for other OPCO e.g. Castopoland; Brico Romania etc.)

DTM SEGMENTS:

DTM	DATE/TIME details for the document	Number of Repeats = 3	Required (R)
------------	------------------------------------	-----------------------	--------------

SEGMENT	SEGMENT NO.	SEGMENT NAME	M/C/R	PIC	DESCRIPTION	
DTM	+	C507		DATE/TIME/PERIOD	R	
		2005		Date qualifier	M	an.3 Default value= 137 (Resemble Document date code)
		2380	:	Date	M	an.35 Date in CCYYMMDD format
		2379	:	Date format qualifier	M	an.3 Default value= 102 (Resemble Date in format CCYYMMDD)

Remarks:

This segment is used to specify the document date of the Despatch Advice message. The below example shows that the document date is 11th August 2017.

Example:

DTM+137:20170811:102'

SEGMENT	SEGMENT NO.	SEGMENT NAME	M/C/R	PIC	DESCRIPTION	
DTM	+	C507		DATE/TIME/PERIOD	R	
		2005		Date qualifier	M	an.3 Default value= 2

						(Resemble requested delivery date)	
		2380	:	Date	M	an.35	Date & Time in CCYYMMDD format
		2379	:	Date format qualifier	M	an.3	Default value= 102 (Resemble Date in format CCYYMMDD)

Remarks:

This segment is used to specify the requested delivery date.

The below example shows that the requested delivery date is 1st September 2017.

Example:

DTM+2:20170901:102'

SEGMENT		SEGMENT NO.		SEGMENT NAME	M/C/R	PIC	DESCRIPTION
DTM	+	C507		DATE/TIME/PERIOD	R		
		2005		Date qualifier	M	an.3	Default value= 17 (Resemble Estimated delivery date)
		2380	:	Date	M	an.35	Date & time in CCYYMMDD format
		2379	:	Date format qualifier	M	an.3	Default value= 102 (Resemble Date in format CCYYMMDDHHMM)

Remarks:

This segment is used to specify the Estimated delivery date of the Goods.

The below example shows that the estimated delivery of goods will be on 12th September 2017.

Example:

DTM+17:20170912:102'

SEGMENT		SEGMENT NO.		SEGMENT NAME	M/C/R	PIC	DESCRIPTION
RFF	+	C506		REFERENCE	R		

		1153		Reference qualifier	M	an.3	Default value= DQ
		1154	:	Reference number	M	an.35	Delivery reference Number The number should be constructed as a string of 16 digits using the following: <ul style="list-style-type: none"> • Six-digit vendor code • The date of the ASN creation in reverse (YYMMDD). • A rolling sequential value starting at 0001 up to 9999. This is defined as the rolling count of ASN's sent within that given date of creation. So the first ASN on a given day is 0001, then 0002, then 0003 etc etc.

Remarks:

This segment is used to provide a reference number to the document relating to the whole despatch advice message.

The ASN reference number should be as per the above format (String of 16 digits: Vendor code+ ASN creation date+ Rolling sequence number. For vendors unable to follow our recommended format of the ASN reference number, instead should generate their own unique reference number, which must not be more than 16 digits.

As for vendors who are delivering to OPCO- Castorama France & Brico France, if they are not able to generate the ASN reference number with the above required 16 digits format, they can send their own reference number, but it should not be more than 16 digits.

Companies dealing with more than one OpCo now (or potentially in the future), Each ASN number generated by your system has to be unique across the group (not only within the OpCo).

Example:

RFF+DQ:5005701801230001'

RFF+DQ:200034567' (e.g. ASN for Castorama)

SEGMENT		SEGMENT NO.		SEGMENT NAME	M/C/R	PIC	DESCRIPTION
DTM	+	C507		DATE/TIME/PERIOD	R		
		2005		Date qualifier	M	an.3	Default value= 171 (Resemble code for Document Reference date)

		2380	:	Date	M	an.35	Date in CCYYMMDD format
		2379	:	Date format qualifier	M	an.3	Default value= 102 (Resemble Date in format CCYYMMDD)

Remarks:

This segment is used to specify the reference date of the Despatch Advice message.
The below example shows the file creation date is 26th July 2017.

Example:

DTM+171:20170726:102'

RFF SEGMENTS :

SEGMENT		SEGMENT NO.		SEGMENT NAME	M/C/R	PIC	DESCRIPTION
RFF	+	C506		REFERENCE	R		
		1153		Reference qualifier	M	an.3	Default value= ON
		1154	:	Reference number	M	an.35	Purchase Order Number. It should be the same as the PO number as you received.

Remarks:

This segment is used to specify the **purchase order number** for which the Receiving Advice is being sent.

Example:

RFF+ON:0091237611'

NAD SEGMENTS :

NAD	Name & Address details	Number of Repeats= 3	Mandatory (M)
-----	------------------------	----------------------	---------------

SEGMENT		SEGMENT NO.		SEGMENT NAME	M/C	PIC	DESCRIPTION
NAD	+			NAME & ADDRESS	M		

		3035		Party qualifier	M	an.3	Default value= BY (Resemble Buyer)
		C082		PARTY DETAILS	R		
		3039	+	Party Id Identification	M	an.35	GLN Number of the trading party. It should be same as you received in the Purchase Order.
		1131	:	Code list Qualifier	C	an.3	Not required
		3055	:	Party Id Code	M	an.3	Default value= 9
		C058		PARTY NAME	C		
		3124	+	Name and address line	M	an.35	Name of the Operating Company
		3124	:	Name and address line	C	an.35	Buyer Name & Address
		3124	:	Name and address line	C	an.35	Buyer Name & Address
		3124	:	Name and address line	C	an.35	Buyer Name & Address
		3124	:	Name and address line	C	an.35	Buyer Name & Address

Remarks:

This segment is used in identifying names, addresses and locations of the Buyer Party, relevant to the whole Receiving advice.

Buyer (BY) is referred to the party who creates & send then Order. As for example below, the buyer 3020400000100 has send the Order.

Example:

NAD+BY+3020400000100::9'

SEGMENT		SEGMENT NO.		SEGMENT NAME	M/C	PIC	DESCRIPTION
NAD	+			NAME & ADDRESS	M		
		3035		Party qualifier	M	an.3	Default value= SU (Resemble Supplier)
		C082		PARTY DETAILS	R		
		3039	+	Party Id Identification	M	an.35	GLN Number of the trading party

	1131	:	Code list Qualifier	C	an.3	Not required
	3055	:	Party Id Code	M	an.3	Default value= 9
	C058		PARTY NAME	C		
	3124	+	Name and address line	M	an.35	Name of the Supplier
	3124	:	Name and address line	C	an.35	Name & Address
	3124	:	Name and address line	C	an.35	Name & Address
	3124	:	Name and address line	C	an.35	Name & Address
	3124	:	Name and address line	C	an.35	Name & Address

Remarks:

This segment is used to identify the trading partners.

Identification of Supplier Party (Name/Address & Locations) is mentioned. SU (Supplier Party) refers to whom the Order is being sent.

Example:

NAD+SU+3017002657108::9'

SEGMENT	SEGMENT NO.	SEGMENT NAME	M/C	PIC	DESCRIPTION	
NAD	+	NAME & ADDRESS	C			
	3035	Party qualifier	M	an.3	Default value= SH (Resemble code for Shipper)	
	C082	PARTY DETAILS	R			
	3039	+	Party Id Identification	M	an.35	GLN Number of the Shipper
	1131	:	Code list Qualifier	C	an.3	Not required
	3055	:	Party Id Code	M	an.3	Default value= 9
	C058		PARTY NAME	C		
	3124	+	Name and address line	M	an.35	Name of the Shipper
	3124	:	Name and address line	C	an.35	Name & Address
	3124	:	Name and address line	C	an.35	Name & Address

	3124	:	Name and address line	C	an.35	Name & Address
	3124	:	Name and address line	C	an.35	Name & Address

Remarks:

This segment is used to identify the shipper.

Example:

NAD+SH+ 3011880000100::9'

SEGMENT	SEGMENT NO.		SEGMENT NAME	M/C/R	PIC	DESCRIPTION
NAD		+	NAME & ADDRESS	M		
	3035		Party qualifier	M	an.3	Default value= DP (Resemble Delivery Party)
	C082		PARTY DETAILS	R		
	3039	+	Party Id Identification	M	an.35	GLN Number of the trading party. It should be same as you received in the Purchase Order
	1131	:	Code list Qualifier	C	an.3	Not required
	3055	:	Party Id Code	M	an.3	Default value= 9
	C058		PARTY NAME	C		
	3124	+	Name and address line	M	an.35	Name of the Delivery Party
	3124	:	Name and address line	C	an.35	Name & Address
	3124	:	Name and address line	C	an.35	Name & Address
	3124	:	Name and address line	C	an.35	Name & Address
	3124	:	Name and address line	C	an.35	Name & Address

Remarks:

Identification of Delivery location (Name/Address & Locations) is mentioned. DP refers to the Physical place of delivery.

Example:

NAD+DP+3020400011908::9'

SEGMENT	SEGMENT NO.	SEGMENT NAME	M/C/R	PIC	DESCRIPTION	
TDT	+	DETAILS OF TRANSPORT	C			
	8051	Transport Stage Qualifier	M	an.3	Values accepted 12 =Transport by which goods are moved from the place of departure. 25 = If Carrier responsible from the point of origin to the final delivery destination.	
	8028	+	Conveyance Reference Number	C	an.17	Reference number of related transport for tracking
	C220		MODE OF TRANSPORT	C		
	8067	+	Mode of Transport, coded	C	an.3	Choose the correct default code to specify the mode of transport 10= Shipping 20= Rail Transport 30= Road transport 40= Air transport 60= Multimodal Transport
	8066	:	Mode of Transport	C	an.17	Description of the mode of Transport (if any)
	C228		TRANSPORT MEANS	C		
	8179	+	Type of means of transport identification	C	an.3	Choose the correct default code as per the transport used (23= Bulk Car; 25= Express Rail; 31= truck)
	8178	:	Type of means of transport	C	an.17	Description of the means of Transport (if any)
	C040		CARRIER	C		
3127	+	Carrier Identification	R	an.8	EAN code of location - Format n 13	

		1131	:	Code list Qualifier	C	an.3	Accepted value = 172
		3055	:	Code list responsible agency, coded	R	an.3	9 = EAN
		3128	:	Carrier name	R	an.35	Carrier name

Remarks:

This segment is used to identify the transport services for delivery.

Example:

TDT+25+456689+30+31+3024120000000:::MORY INT'

SEGMENT		SEGMENT NO.		SEGMENT NAME	M/C/R	PIC	DESCRIPTION
CPS	+			CONSIGNMENT PACKING SEQUENCE	M		
		7164		Hierarchical ID. Number	M	an.12	Unique sequential number assigned by the sender to identify a level within a hierarchical structure
		7166	+	Hierarchical Parent ID	C	an.12	Identification number of the next higher hierarchical data segment in a hierarchical structure.
		7075	:	Packaging Level code	C	an.3	Not Required

Remarks:

This segment is used to give the sequence of shipping units in the shipment. The CPS segment is the trigger segment for each shipping unit level (pallet, carton per example) or for each individual shipping unit. Data element 7166 is used to indicate the parent level number.

For Non- Handling Unit ASN, only the first level is required (CPS+1').

Example:

CPS + 1 ' (1st level)
 CPS + 2 + 1 ' (2nd level below 1st level)
 CPS + 3 + 2' (3rd level below 2nd level)

SEGMENT		SEGMENT NO.		SEGMENT NAME	M/C/R	PIC	DESCRIPTION
LIN	+			LINE ITEM DETAILS	M		
		1082	+	Line item number	R	n.6	Line Item number in the message
		1229	+	Action Request code	C	an.3	Not Required
		C212		ITEM NUMBER IDENTIFICATION	R		
		7140	+	Item number	R	an.35	EAN Code for the article. This should be same as you received in the Purchase Order.
		7143	:	Item loading count Number type code	R	an.3	Default value= EN Code for International Article numbering Association (EAN)

Remarks:

This segment is used to provide the EAN details of the items ordered.

Example:

LIN+00001++3454971328064:EN'

SEGMENT		SEGMENT NO.		SEGMENT NAME	M/C/R	PIC	DESCRIPTION
PIA	+			ITEM DETAILS	C		
		4347		ITEM ID qualifier	M	an.3	Default value as per the below types: 5 = Article Identification

	C212		ITEM Number	M		
	7140	+	Article Number	R	an.35	Supplier article number
	7143	:	Code Type	R	an.3	Default value= SA (Resemble Supplier Article Number)
	1131	:	Code list Qualifier	C	an.3	Not required
	3055	:	Code list responsible agency, coded	C	an.3	Not required

Remarks:

This segment is used to specify supplier 's Item number for the item ordered.

Example:

PIA+5+25588903:SA'

SEGMENT	SEGMENT NO.	SEGMENT NAME	M/C/R	PIC	DESCRIPTION	
IMD	+	ITEM DETAILS	C			
	7077	Item Type	R	an.3	Default code =E (Resemble Free Form Short description)	
	7081	+	Characteristic code	C	an.3	Default code as per below: ANM = Name of the article (code GS1) TPE = Article Type (Code GS1)
	C273	ITEM DESCRIPTION	C			
	7009	+	Item Description Identification	C	an.17	NULL
	1131	:	Code list Qualifier	C	an.3	NULL
	3055	:	Code list Responsible	C	an.3	NULL
	7008	:	Item description 1	C	an.35	Description of the Ordered product

	7008	:	Item description 2	C	an.35	Description of the Ordered product
	3453	:	Language coded	C	an.3	Not required
	7383	+	Surface/layer indicator, (coded)	C	an.3	Not required

Remarks:

This segment is used to describe the ordered line item.

Example:

IMD+E+ANM+:::CORN CRISPIESCASE'

SEGMENT		SEGMENT NO.	SEGMENT NAME	M/C/R	PIC	DESCRIPTION
QTY	+	C186	QUANTITY DETAILS	R		
		6063	Quantity Qualifier	M	an.3	Default value= 12 (Resemble total despatched quantity)
		6060	: Quantity	M	n.15	Quantity numeric value
		6411	: Measure unit qualifier	R	an.3	Unit of Measurement. You need to send the same Unit of measurement for each product as you received in the Purchase order.

Remarks:

This segment is used to specify the total dispatch quantity for a line item and the unit of measurement.

Fractional Quantity are not allowed.

Example:

The below examples show that 10 EACH of an Item has been dispatched.

Example:

QTY+12:10:EA'

SEGMENT		SEGMENT NO.	SEGMENT NAME	M/C/R	PIC	DESCRIPTION
QTY	+	C186	QUANTITY DETAILS	R		
		6063	Quantity Qualifier	M	an.3	Default value= 52 (Resemble quantity per packaging)
		6060	: Quantity	M	n.15	Quantity numeric value
		6411	: Measure unit qualifier	R	an.3	Unit of Measurement e.g EA= Each

Remarks:

This segment is used to specify the total quantity per pack.

Example:

QTY+ 52:10:EA'

RFF SEGMENTS:

SEGMENT		SEGMENT NO.	SEGMENT NAME	M/C/R	PIC	DESCRIPTION
RFF	+	C506	REFERENCE	R		
		1153	Reference qualifier	M	an.3	Default value= LI (Resemble code for line item reference number)
		1154	: Reference number	M	an.35	PO line item reference number. This should be

						same as the Purchase order. It should be 5 digits.
--	--	--	--	--	--	--

Remarks:
 This segment is used to specify the Line Item Reference number (as sent in the purchase order)

Example:
 RFF+LI:00006'

SEGMENT		SEGMENT NO.		SEGMENT NAME	M/C/R	PIC	DESCRIPTION
RFF	+	C506		REFERENCE	R		
		1153		Reference qualifier	M	an.3	Default value= ON (Resemble code for reference number assigned to an order)
		1154	:	Reference number	M	an.35	Original Purchase Order number

Remarks:
 This segment is used to provide Purchase order reference number

Example:
 RFF+ON:0100000003'

SEGMENT		SEGMENT NO.		SEGMENT NAME	M/C	PIC	DESCRIPTION
CNT	+	C270		CONTROL TOTAL	M		
		6069		Control Qualifier	M	a.3	Choose the default code as per below: 1 = Total segments of the quantity on the line level in the message

						2 = Number of line items in message 11 = Number of total package	
		6066	:	Control Value	M	a.18	Total number

Remarks:

This segment is used to separate the detail and summary sections of the message.

Example:

CNT+2:7'

SEGMENT		SEGMENT NO.		SEGMENT NAME	M/C/R	PIC	DESCRIPTION
UNT	+			MESSAGE TRAILER	M		
		0074		Number of segments in a message	M	n.6	Total number of segments in the message
		0062	+	Message reference number	M	an.14	The message reference numbered detailed here should equal the one specified in the UNH segment

Remarks:

This segment is used to separate the detail and summary sections of the message.

Example:

UNT+12+ 00000000000001'

SEGMENT		SEGMENT NO.		SEGMENT NAME	M/C/R	PIC	DESCRIPTION
UNZ	+			INTERCHANGE TRAILER	M		
		0036		Interchange Control Count	M	n.6	Number of messages or functional groups within the interchange.
		0020	+	Interchange Control reference	M	an.14	The message reference numbered detailed here should equal the one specified in the UNB segment

Remarks:

This segment is used to provide the trailer of an interchange.

Example:

UNZ+1+00000092345555'

EXAMPLES:
Example 1: NON HU ASN

```

UNA:+.? '
UNB+UNOA:3+3017002657108:14+3020400000100:14+060228:1053+014097'
UNH+1+DESADV:D:96A:UN:EAN005'
BGM+351+1237611+9'
DTM+137:201800412:102'
DTM+17:201800414:102'
DTM+2:201800414:102'
RFF+DQ: 5005701807101003'
DTM+171:20060222:102'
RFF+ON:1023023090'
NAD+BY+3020400000100::9'
NAD+DP+3020400011908::9'
NAD+SU+3017002657108::9'
CPS+1'
LIN+1++3454971328064:EN'
QTY+12:10:EA'
QTY+52:1:EA'

```

RFF+LI:00001'
RFF+ON:1023023090'
LIN+2++3454971328163:EN'
QTY+12:10: EA'
QTY+52:1: EA'
RFF+LI:00004'
RFF+ON:1023023090'
LIN+3++3454971328170:EN'
QTY+12:10: EA'
QTY+52:1: EA'
RFF+LI:00005'
RFF+ON:1023023090'
LIN+4++3454971328200:EN'
QTY+12:10: EA'
QTY+52:1: EA'
RFF+LI:00002'
RFF+ON:1023023090'
LIN+5++3454971361139:EN'
QTY+12:10: EA'
QTY+52:1: EA'
RFF+LI:00006'
RFF+ON: 1023023090'
LIN+6++3454971361399:EN'
QTY+12:5: EA'
QTY+52:1: EA'
RFF+LI:00007'
RFF+ON: 1023023090'
LIN+7++3262426102004:EN'
QTY+12:5: EA'
QTY+52:1: EA'
RFF+LI:00008'
RFF+ON: 1023023090'
CNT+2:7'
UNT+49+1'
UNZ+1+014097'

Example 2: Non HU ASN for DSV PO with tracking id

UNA:+.? '
UNB+UNOA:3+3017002657108:14+3020400000100:14+140110:1053+014098'
UNH+1+DESADV:D:96A:UN:EAN005'
BGM+351+0001237611+9'
DTM+137:201800412:102'
DTM+17:201800414:102'
DTM+2:201800414:102'
RFF+DQ:5005701807101004'
DTM+171:20140110:102'
RFF+ON: 1023023091'
NAD+BY+3020400250000::9'
NAD+DP+3020400000001::9'
NAD+SU+3012624200100::9'
TDT+25+558969+30+31+3024120000000:::MORY INT'
CPS+1'
LIN+1++3454971328064:EN'
QTY+12:10:EA'
QTY+52:1: EA'
RFF+LI:00001'
RFF+ON:1023023091'
LIN+2++3454971328163:EN'
QTY+12:10: EA'
QTY+52:1: EA'
RFF+LI:00002'
RFF+ON: 1023023091'
LIN+3++3454971328170:EN'
QTY+12:10: EA'
QTY+52:1: EA'
RFF+LI:00003'
RFF+ON:1023023091'
LIN+4++3454971328200:EN'
QTY+12:10: EA'
QTY+52:1: EA'
RFF+LI:00004'
RFF+ON:1023023091'
LIN+5++3454971361139:EN'
QTY+12:10: EA'
QTY+52:1: EA'
RFF+LI:00005'
RFF+ON:1023023091'
LIN+6++3454971361399:EN'
QTY+12:5: EA'
QTY+52:1: EA'
RFF+LI:00006'

RFF+ON:1023023091'
LIN+7++3262426102004:EN'
QTY+12:5: EA'
QTY+52:1: EA'
RFF+LI:00007'
RFF+ON:1023023091'
CNT+2:7'
UNT+50+1'
UNZ+1+014098'