

# KITS

## **EDI Technical Documentation**

EDIFACT Standard Version D96A

## **Acknowledgement (ORDRSP)**

**Version 1.1**

## 1. Overview

This specification provides the details of the **Acknowledgement message (ORDRSP)** to be used in Electronic Data Interchange (EDI) in EDIFACT – Version D96A format between Operating Company and the Vendor.

ORDRSP (Acknowledgement) is a message from the seller to the buyer, responding to a purchase order message. Our company needs the acknowledgement message from the supplier/Vendor as an acceptance for the Purchase Order sent to them. This is a technical ACK message and vendor must send ACK for all the items with full quantity. The ACK is required only for the Drop Ship Customer Purchase Order.

## 2. Objective and functional rules

This message is requested only in response to the Customer order in the case of home delivery. It aims to know the delivery date per item to the end customer in order to be able to send him. Therefore, only the qualifier 29 is used in the BGM segment. In case of total or partial non-acceptance, you must contact our supply department.

## 3. Segments Layout

The segments are presented in the sequence in which they appear in the message. The segment or segment group tag consists of Segment Name; Segment code; Status; maximum field lengths; maximum number of repeats of the segment/element and the details/descriptions to provide extra required information.

Descriptions which has been flagged as **Not Required**, highlights the elements/segment which is not used in KITS.

There is various status of Data elements as per EANCOM standard, but for KITS messages we use only three statuses as (M)andatory / (C)onditional / (R)equired :

CODE	STATUS	USE
M	Mandatory	Code Indicator defines that the segment/element must be used.
C	Conditional	Code Indicator defines that the segment/element is optional. It can or cannot be used by the Vendors as per their own requirements.
R	Required	Code indicator defines that the segment /element is conditional as per the EDIFACT message standards , but the message information is mandatory only for the company (KITS).

## 4. Interchange structure and service segments

- The interchange structure in an EDIFACT transmission is organised in several grouping levels. The service segments are the envelope of the groups.
- The first service segment possible in an interchange is the 'UNA' segment which is used to define the separators being used in the interchange.
- The second service segment, "UNB", indicates the beginning of the interchange.
- The last service segment, "UNH", indicates the beginning of a given message.
- To each beginning service segment corresponds an ending service segment (note, UNA is not a beginning segment).

Service string advice:	UNA
Interchange envelope:	UNB .... UNZ
Message envelope:	UNH .... UNT

A segment consists of:

- A segment tag: identifies the segment type
- Data element separators
- Component Data elements
- A segment terminator

## 5. Separators

Apostrophe	'	=	segment terminator
Plus sign	+	=	segment tag and data element separator
Colon	:	=	component data element separator
Question Mark	?	=	release character; immediately preceding one of the service characters, it restores their normal meaning.

E.g. 10?+10=20 means 10+10=20

## 6. Conventions

The following conventions apply in the present documentation:

- a..3 up to 3 alphabetic characters
- n..3 up to 3 numeric characters
- an..3 up to 3 alpha-numeric characters

## 7. Segment Structure

All the service segments and the segment groups has been detailed in the below descriptions. An Example of an EDIFACT segment has been mentioned to identify the segment separators and the data values.

**DTM+137:19940101:102'**

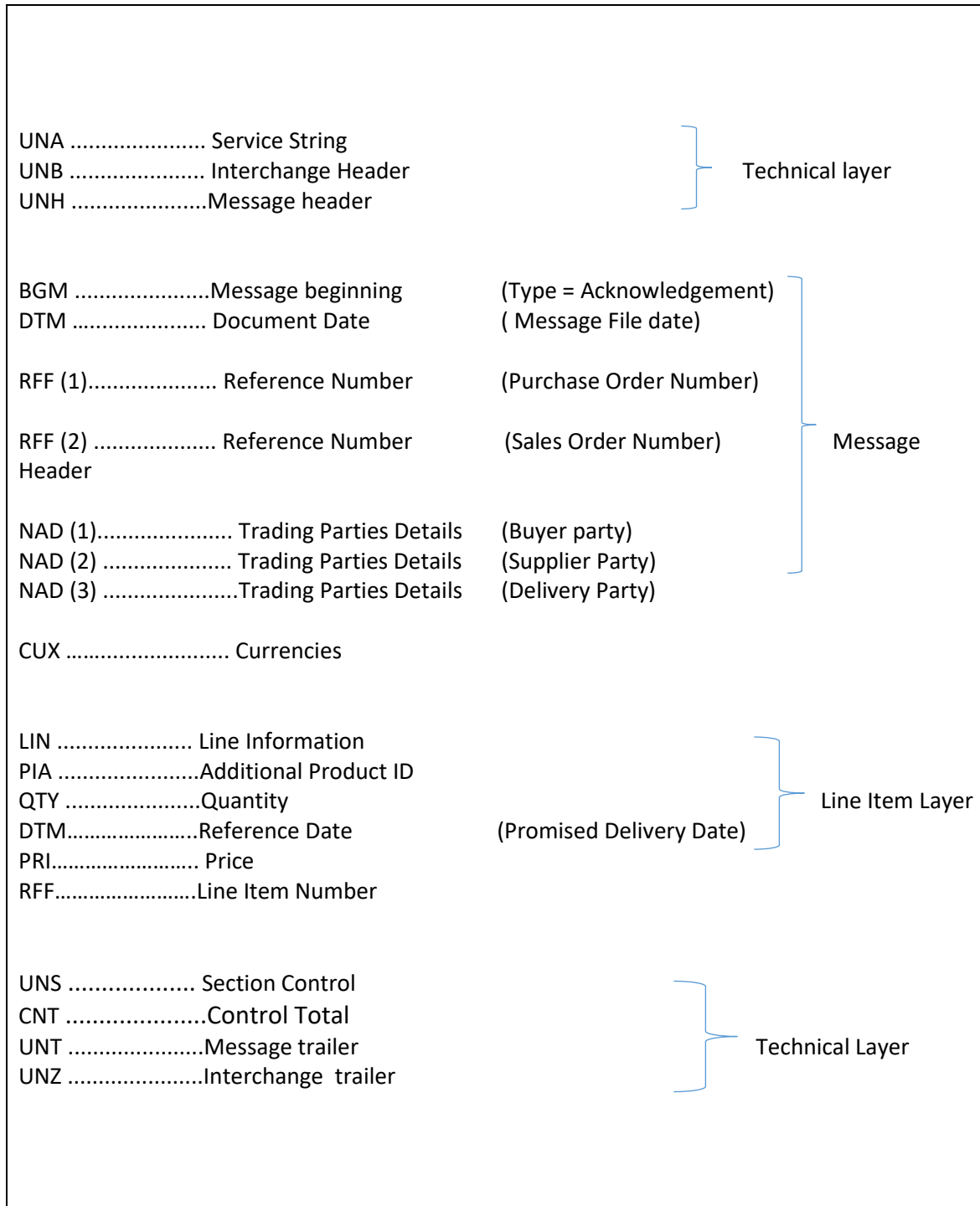
DTM	=	Tag of the "Date" segment;
+	=	separator;
137	=	Qualifier to indicate the date is the Message Date;
:	=	separator of data elements within a composite (here, the date qualifier and the date);
20160101	=	the date;
:	=	separator of data elements within a composite (here, the date and the date format qualifier);
102	=	Qualifier to indicate the format of the date (CCYYMMDD);
'	=	Segment terminator.

## 8. Message Structure Chart

Here collections of segments repeat as a group, which is mentioned as segment groups. **Number of Repeats** defines the number of times a particular segment or segment group may repeat. This structure is specific only for KITS messages.

<b>TAG</b>	<b>SEGMENT NAME</b>	<b>M/C/R</b>	<b>Number of Repeats</b>
UNA	Service String	M	1
UNB	Interchange Header	M	1
UNH	Message header	M	1
BGM	Message beginning	M	1
DTM	Document Date	M	1
	<b>SEGMENT GROUP 1</b>	M	2
RFF	Reference Details	M	1
DTM	Document Date	C	1
	<b>SEGMENT GROUP 3</b>	M	3
NAD	Name & Address Details	M	1
	<b>SEGMENT GROUP 8</b>	M	1
CUX	Currencies	M	1
	<b>START OF LINE INFORMATION</b>		
	<b>SEGMENT GROUP 26</b>	M	200000
LIN	Line Details	M	1
PIA	Additional Product ID	C	1
QTY	Quantity of the Item	R	1
DTM	Document Date	R	1
FTX	Free Text	C	1
PRI	Price Details	M	1
RFF	Reference Details	R	1
	<b>END OF LINE INFORMATION</b>		
UNS	Section Control	M	1
CNT	Control Total	R	1
UNT	Message trailer	M	1
UNZ	Interchange trailer	M	1

Segments structure layer is defined as below:



### 9. Message Segment Details

This specification contains only the segment details for the messages for KITS. Other Segments (as per the GS1 EANCOM standard) which are not used in the Message has not been defined here.

All the segments details have been listed in the same sequence they appear on the message. Specific Comments has been added in the Description column to clarify KITS requirements.

For some of the segments, the code has been fixed (as per the EDIFACT message standard codes) . This code has been defined with a tag name as **Default Value=** (code)

SEGMENT	SEGMENT NO.	SEGMENT NAME	M/C/R	PIC	DESCRIPTION	
UNA :			M			
	UNA1	+	Data element separator	M	an.1	Is used to separate two simple or composite data elements (Default value = + )
	UNA2		Decimal notation	M	an.1	Is used to indicate the character used for decimal notation (Default value = . )
	UNA3		Release character	M	an.1	Used to restore the separator and the terminator signs to their original specification (Default value= ? )
	UNA4		Reserved for future use	M	an.1	Default value = (space )
	UNA5		Segment terminator	M	an.1	Used to indicate the end of segment data (Default value = ' )

**Remarks:**

This segment is used to inform the receiver of the interchange that a set of service string characters which are different to the default characters are being used.

**Example:**

UNA:+.? '

SEGMENT	SEGMENT NO.	SEGMENT NAME	M/C/R	PIC	DESCRIPTION
UNB	+				
	<b>S001</b>	SYNTAX IDENTIFIER	M		
	0001	SYNTAX IDENTIFIER	M	an.4	Default Value =UNOA
	0002	: Syntax version number	M	n.1	Default Value = 3
	<b>S002</b>	INTERCHANGE SENDER	M		
	0004	+ Sender identification	M	an.35	Supplier's GLN code
	0007	: Sender Qualifier	C	an.4	GLN Qualifier Default value: 14
	<b>S003</b>	INTERCHANGE RECIPIENT	M		
	0010	+ Recipient identification	M	an.35	GLN code of the OPCO
	0007	: Sender Qualifier	C	an.4	GLN Qualifier Default value: 14
	<b>S004</b>	DATE/TIME OF MESSAGE	M		
	0017	+ Date	M	n.6	YYMMDD
	0019	: Time	M	n.6	HHMM
	0020	: Interchange control reference	M	an.14	Unique reference identifying the interchange. Created by the interchange sender.
		REFERENCE	C		
	0035	+ Test indicator only in accordance with partner arrangement	C	an.14	Indicator as agreed for the Test messages.
	<b>Remarks:</b>				



This is a mandatory segment. It is used to envelope the interchange and identify the two trading parties.

**Example:**

UNB+UNOC:3+3017002657108:14+3020400000100:14+060228:1053+014097'

SEGMENT		SEGMENT NO.	SEGMENT NAME	M/C/R	PIC	DESCRIPTION	
UNH	+	0062	Message reference Number	M	an.14	Sender's unique message reference. Sequence number of the messages in the interchange. The reference in the UNT segment should match with the reference number mentioned here.	
		<b>S009</b>	MESSAGE IDENTIFIER	M			
		0065	+	Message Type Identifier	M	an.6	ORDRSP (Code to identify that the message is a Purchase Order Response)
		0052	:	Message type version number	M	an.3	D ( UN/EDIFACT Directory)
		0054	:	Message type release number	M	an.3	96A ( Release 1996 – A )
		0051	:	Controlling agency	M	an.2	Default value= UN
		0057	:	Association assigned code	R	an.6	Default value= EAN008

**Remarks:**

This service segment is used to uniquely identify & specify the type of message. Segment No 0057 states that EANCOM version 008 is being used.

**Example:**

UNH+1+ORDRSP:D:96A:UN:EAN008'

SEGMENT		SEGMENT NO.		SEGMENT NAME	M/C/R	PIC	DESCRIPTION
BGM	+	<b>C002</b>		BEGINNING OF MESSAGE	M		
		1001		Message name code	R	an.3	Default Value= 231 (Resembles code to define that the message is a response to a purchase order already received)
		1131	:	Code list Qualifier	C	an.3	Not required
		3055	:	Code List	C	an.3	Not required
		1000	:	Message name	C	an.35	Not required
		1004	+	Document Number	R	an.35	Acknowledge reference number. This reference number should not be more than 20 digits
		1225	+	Message function code number	C	an.3	Possible values as per standard:  4 = Modified 27 = Not accepted <b>29 = Accepted without modification</b>  <b>Values accepted:</b>  29 = Accepted without modification

**Remarks:**

This segment is used to indicate the type, function, and the reference document number of an Acknowledgement message.

**Example:**

BGM+231+91237611+29'

SEGMENT		SEGMENT NO.		SEGMENT NAME	M/C/R	PIC	DESCRIPTION
DTM	+	<b>C507</b>		DATE/TIME/PERIOD	R		
		2005		Date qualifier	M	an.3	Default value= 137 (Document date code)
		2380	:	Date	M	an.35	Date in CCYYMMDD format
		2379	:	Date format qualifier	M	an.3	Default value= 102  (Date in format CCYYMMDD)

**Remarks:**

This segment is used to specify the document date of the Acknowledgement message.  
The below example shows that the document date is 11<sup>th</sup> August 2017.

**Example:**

DTM+137:20170811:102'

SEGMENT		SEGMENT NO.		SEGMENT NAME	M/C/R	PIC	DESCRIPTION
DTM	+	<b>C507</b>		DATE/TIME/PERIOD	C		
		2005		Date qualifier	M	an.3	Default value= 2 (Expected delivery date)
		2380	:	Date	M	an.35	Date in CCYYMMDD format
		2379	:	Date format qualifier	M	an.3	Default value= 102  (Resemble Date in format CCYYMMDD)

**Remarks:**

This segment is used to specify the expected delivery date of the goods ordered.  
The below example shows that the expected delivery date is 11<sup>th</sup> August 2017.

**Example:**

DTM+2:20170811:102'

**RFF SEGMENTS :**

<b>RFF</b>	Reference details for the document	Number of Repeats = 2	Mandatory (M)
------------	------------------------------------	-----------------------	---------------

SEGMENT		SEGMENT NO.		SEGMENT NAME	M/C/R	PIC	DESCRIPTION
RFF	+	C506		REFERENCE	R		
		1153		Reference qualifier	M	an.3	Default value= ON
		1154	:	Reference number	M	an.35	Purchase Order Number. It should be same as you received in the PO. It will be 10-digit long.

**Remarks:**

This segment is used to specify the **purchase order number** for which the acknowledgement is being sent.

**Example:**

RFF+ON:0191237611'

SEGMENT		SEGMENT NO.		SEGMENT NAME	M/C/R	PIC	DESCRIPTION
DTM	+	C507		DATE/TIME/PERIOD	C		
		2005		Date qualifier	M	an.3	Default value= 171 (Resemble code for Document Reference date )
		2380	:	Date	M	an.35	Date in CCYYMMDD format
		2379	:	Date format qualifier	M	an.3	Default value= 102 (Resemble Date in format CCYYMMDD)

**Remarks:**

This segment is used to specify the Purchase Order date. The below example shows the PO date is 26<sup>th</sup> July 2017.

**Example:**

DTM+171:20170726:102'

SEGMENT		SEGMENT NO.		SEGMENT NAME	M/C/R	PIC	DESCRIPTION
RFF	+	C506		REFERENCE	C		
		1153		Reference qualifier	M	an.3	Default value= UC
		1154	:	Reference number	M	an.35	Sales Order Number. It should be same as you received in the PO. It will be 10-digit long.

**Remarks:**

This segment is used to specify the **sales order number** (as provided in the purchase order sent from OPCO )

**Example:**

RFF+UC:0000657611'

SEGMENT		SEGMENT NO.		SEGMENT NAME	M/C/R	PIC	DESCRIPTION
DTM	+	C507		DATE/TIME/PERIOD	C		
		2005		Date qualifier	M	an.3	Default value= 171 (Resemble code for Document Reference date )
		2380	:	Date	M	an.35	Date in CCYYMMDD format
		2379	:	Date format qualifier	M	an.3	Default value= 102 (Resemble Date in format CCYYMMDD)

**Remarks:**

This segment is used to specify the Purchase Order date. The below example shows the PO date is 26<sup>th</sup> July 2017.

**Example:**

DTM+171:20170726:102'

**NAD SEGMENTS :**

NAD	Name & Address details	Number of Repeats= 3	Mandatory (M)
-----	------------------------	----------------------	---------------

SEGMENT	SEGMENT NO.	SEGMENT NAME	M/C	PIC	DESCRIPTION	
<b>NAD</b>	+	NAME & ADDRESS	M			
	3035	Party qualifier	M	an.3	Default value= BY (Resemble Buyer)	
	<b>C082</b>	PARTY DETAILS	R			
	3039	+	Party Id Identification	M	an.35	GLN Number of the trading party. It should be same as you received in the Purchase Order.
	1131	:	Code list Qualifier	C	an.3	Not required
	3055	:	Party Id Code	M	an.3	Default value= 9
	<b>C080</b>		PARTY NAME	C		
	3036	+	Buyer Name	M	an.35	Name of the OPCO
	3036	:	Buyer Name	C	an.35	Buyer Name 2
	3036	:	Buyer Name	C	an.35	Buyer Name 3
	<b>C059</b>		STREET	C		
	3042	:	Street Number/P.O Box	C	an.35	Street Number or Post Office Box number
			CITY NAME			
	3164	+	City name	C	an.35	Name of a city (a town, a village) for addressing purposes

			POST CODE			
	3251	+	Post Code identification	C	an.9	Code defining postal zones or addresses
			COUNTRY CODE			
	3207	+	Country code	C	an.3	Identification of the name of a country or other geographical entity

**Remarks:**

This segment is used in identifying names, addresses and locations of the Buyer Party, relevant to the whole Receiving advice.

Buyer (BY) is referred to the party who creates & send then Order. The trading parties are identified by their unique EAN code. As for example below, the buyer 3020400000100 has send the Order.

**Example:**

NAD+BY+3020400000100::9'

SEGMENT	SEGMENT NO.	SEGMENT NAME	M/C	PIC	DESCRIPTION
NAD	+	NAME & ADDRESS	M		
	3035	Party qualifier	M	an.3	Default value= SU (Resemble Supplier )
	<b>C082</b>	PARTY DETAILS	R		
	3039	Party Id Identification	M	an.35	GLN Number of the Supplier
	1131	: Code list Qualifier	C	an.3	Not required
	3055	: Party Id Code	M	an.3	Default value= 9
	<b>C080</b>	PARTY NAME	C		
	3036	+ Buyer Name	M	an.35	Name of the Supplier
	3036	: Buyer Name	C	an.35	Supplier Name 2
	3036	: Buyer Name	C	an.35	Supplier Name 3
	<b>C059</b>	STREET			

		3042	:	Street Number/P.O Box	C	an.35	Street Number or Post Office Box number
				CITY NAME			
		3164	+	City name	C	an.35	Name of a city (a town, a village) for addressing purposes
				POST CODE			
		3251	+	Post Code identification	C	an.9	Code defining postal zones or addresses
				COUNTRY CODE			
		3207	+	Country code	C	an.3	Identification of the name of a country or other geographical entity

**Remarks:**

This segment is used to identify the trading partners. Identification of Supplier Party (Name/Address & Locations) is mentioned. SU (Supplier Party) refers to whom the Order is being sent.

**Example:**

NAD+SU+3017002657108::9'

SEGMENT		SEGMENT NO.		SEGMENT NAME	M/C	PIC	DESCRIPTION
<b>NAD</b>	+			NAME & ADDRESS	M		
		3035		Party qualifier	M	an.3	Default value= DP (Resemble Delivery Party)
		<b>C082</b>		PARTY DETAILS	R		
		3039	+	Party Id Identification	M	an.35	GLN Number of the Delivery party. It should be same as the PO
		1131	:	Code list Qualifier	C	an.3	Not required
		3055	:	Party Id Code	M	an.3	Default value= 9
		<b>C080</b>		PARTY NAME	C		



	3036	+	Buyer Name	M	an.35	Name of the Delivering Vendor/place
	3036	:	Buyer Name	C	an.35	Delivery Vendor/Place Name 2
	3036	:	Buyer Name	C	an.35	Delivery Vendor/Place Name 3
	<b>C059</b>		STREET	C		
	3042	:	Street Number/P.O Box	C	an.35	Street Number or Post Office Box number
			CITY NAME			
	3164	+	City name	C	an.35	Name of a city (a town, a village) for addressing purposes
			POST CODE			
	3251	+	Post Code identification	C	an.9	Code defining postal zones or addresses
			COUNTRY CODE			
	3207	+	Country code	C	an.3	Identification of the name of a country or other geographical entity

**Remarks:**

Identification of Delivery location (Name/Address & Locations) is mentioned. DP refers to the Physical place of delivery.

**Example:**

NAD+DP+3020400011908::9'

SEGMENT		SEGMENT NO.		SEGMENT NAME	M/C/R	PIC	DESCRIPTION
CUX	+	<b>C504</b>		CURRENCY DETAILS	M		
		6347		Currency code qualifier	M	an.3	Default value= 2 (Resemble Reference Currency)
		6345	:	Currency	R	an.3	Currency of the order
		6343	:	Currency qualifier	R	an.3	Order Currency qualifier Default qualifier =9
		<b>C504</b>		CURRENCY DETAILS	M		
		6347		Currency code qualifier	M	an.3	Default value= 3 (Resemble Target Currency)
		6345	:	Currency	R	an.3	Currency of the Invoice
		6343	:	Currency qualifier	R	an.3	Invoicing Currency qualifier Default qualifier = 4

**Remarks:**

This segment is used to provide Currency details for the message.

For Currency Code Qualifier (2) The currency applicable to the amounts has been mentioned. It may have to be converted.

For Currency Code Qualifier (3) The currency which should be used to the target destination of the transaction.

**Example:**

CUX+2:EUR:9+3:EUR:4'

SEGMENT		SEGMENT NO.		SEGMENT NAME	M/C/R	PIC	DESCRIPTION
LIN	+			LINE ITEM DETAILS	M		
		1082	+	Line item number	R	n.6	Line Item number in the message
		1229	+	Action Request code	C	an.3	<b>Possible values as per standard:</b>

						<p>3 = Accepted with modification                      5 = Accepted without modification                      7 = Refused</p> <p><b>Vales accepted:</b>                      Currently we manage only the value 5 (Accepted without modification).</p>
		<b>C212</b>		ITEM NUMBER IDENTIFICATION	R	
		7140	+	Item number	R	an.35 EAN Code for the article
		7143	:	Item loading count Number type code	R	an.3 Default value= EN Code for International Article numbering Association (EAN)

**Remarks:**

This segment is used to provide the EAN details of the items ordered.

**Example:**

LIN+00001+5+5412345110002:EN'

SEGMENT		SEGMENT NO.		SEGMENT NAME	M/C/R	PIC	DESCRIPTION
PIA	+			ITEM DETAILS	C		
		4347		ITEM ID qualifier	M	an.3	Default value= 5
		<b>C212</b>		ITEM Number	M		
		7140	+	Article Number	R	an.35	Article Number of the product
		7143	:	Code Type	R	an.3	Default value= SA (Resemble Supplier Item Number)
		3055	:	Code List	C	an.3	Not Required

**Remarks:**

This segment is used to specify supplier's Item/article number.

**Example:**

PIA+5+IH4731234:SA'

SEGMENT	SEGMENT NO.	SEGMENT NAME	M/C/R	PIC	DESCRIPTION	
IMD	+	ITEM DETAILS	C			
	7077	Item Type	R	an.3	Default code =E (Resemble Free Form Short description)	
	7081	+	Characteristic code	C	an.3	Default code as per below:  ANM = Name of the article (code GS1)  TPE = Article Type (Code GS1)
	<b>C273</b>		ITEM DESCRIPTION	C		
	7009	+	Item Description Identification	C	an.17	NULL
	1131	:	Code list Qualifier	C	an.3	NULL
	3055	:	Code list Responsible	C	an.3	NULL
	7008	:	Item description 1	C	an.35	Description of the Ordered product
	7008	:	Item description 2	C	an.35	Description of the Ordered product
	3453	:	Language coded	C	an.3	Not required

# KITS Technical Specification

		<b>7383</b>	+	Surface/layer indicator, (coded)	C	an.3	Not required
--	--	-------------	---	-------------------------------------	---	------	--------------

**Remarks:**

This segment is used to describe the ordered line item.

**Example:**

IMD+E+ANM+:::CORN CRISPIESCASE'

SEGMENT		SEGMENT NO.		SEGMENT NAME	M/C/R	PIC	DESCRIPTION
QTY	+			QUANTITY DETAILS	R		
		6063		Quantity Qualifier	M	an.3	Possible values as per standard  113 = Quantity to deliver  52 = Quantity per package  <b>Values accepted:</b>  In this segment you must use the qualifier <b>113</b>
		6060	:	Quantity	M	n.17	Quantity of product/item
		6411	:	Measure unit qualifier	R	an.3	Unit of Measure as mentioned in the Order. The unit of measurement must be same as you received in the PO.

**Remarks:**

This segment is used to specify the total quantity for the current line item. The below example shows that 10 EA of an Item has been accepted by the vendor for the delivery. Also the vendor needs to send back the same Unit of Measure as mentioned in the Order.

**Example:**

QTY+113:10:EA'

SEGMENT		SEGMENT NO.		SEGMENT NAME	M/C/R	PIC	DESCRIPTION
DTM	+	<b>C507</b>		DATE/TIME/PERIOD	R		
		2005		Date qualifier	M	an.3	Default value= 2 (Expected delivery date)
		2380	:	Date	M	an.35	Date in CCYYMMDD format
		2379	:	Date format qualifier	M	an.3	Default value= 102 (Resemble Date in format CCYYMMDD)
<p><b>Remarks:</b> This segment is used to specify the expected date for the delivery of the good</p> <p><b>Example:</b> DTM+2:20160426:102'</p>							

SEGMENT		SEGMENT NO.		SEGMENT NAME	M/C/R	PIC	DESCRIPTION
FTX	+			FREE TEXT INFORMATION	C		
		4451		Text subject qualifier	M	an.3	Default value= NAI (Code resemble Non-acceptance information (EAN Code))
		4453	+	Text function, coded	R	an.3	Default value= 3
		C108		TEXT REFERENCE	C		
		4440	+	Free text	C	an.70	
		4440	:	Free text	C	an.70	

		4440	:	Free text	C	an.70	
		4440	:	Free text	C	an.70	
		4440	:	Free text	C	an.70	Net Price for the Line

**Remarks:**

This segment with free text information is used when additional information is needed but cannot be accommodated within other segments. **Currently you need not to use this segment as we don't accept rejection in ACK.**

**Example:**

FTX+NAI+3++21'

SEGMENT		SEGMENT NO.		SEGMENT NAME	M/C/R	PIC	DESCRIPTION
PRI	+	<b>C509</b>		PRICE INFORMATION	M		
		5125		Price qualifier	M	an.3	Default value= AAA (Resemble Net Amount code)
		5118	:	Total Price	R	n.15	Price amount
		5375	:	Price type, coded	C	an.3	Default value = TU (Traded Unit)
		5387	:	Price type qualifier	C	an.3	Possible values as per standard RTP = Retail Price NTP = Net unit price Values accepted: NTP = Net unit price
		5284	:	Unit price basis	C	n.9	Unit price basis value

		6411	:	Measure unit qualifier	R	an.3	This should be the same QTY.6411
<p><b>Remarks:</b> This segment is used to provide the Net Price for the line Item.</p> <p><b>Example:</b> PRI+AAA:14.58::NTP:1:EA'</p>							

**RFF SEGMENTS:**

SEGMENT		SEGMENT NO.		SEGMENT NAME	M/C/R	PIC	DESCRIPTION
RFF	+	C506		REFERENCE	R		
		1153		Reference qualifier	M	an.3	Default value= LI (Resemble code for line item reference number)
		1154	:	Reference number	M	an.35	PO line item reference number. This should be same as the Purchase order. It should be 5 digits.
<p><b>Remarks:</b> This segment is used to specify the Line Item Reference number (as sent in the purchase order)</p> <p><b>Example:</b> RFF+LI:00006'</p>							

SEGMENT		SEGMENT NO.		SEGMENT NAME	M/C	PIC	DESCRIPTION
UNS	+			SECTION CONTROL	M		
		0081		Section Identification	M	a.1	Default value= S (Resemble section separation)



**Remarks:**

This segment is used to separate the detail and summary sections of the message.

**Example:**

UNS+S'

SEGMENT		SEGMENT NO.	SEGMENT NAME	M/C	PIC	DESCRIPTION
CNT	+		CONTROL TOTAL	M		
		6069	Control Qualifier	M	a.3	Default value= 2 (Resemble code for number of line items)
		0081	:	Control Value	M	a.18

**Remarks:**

This segment is used to separate the detail and summary sections of the message.

**Example:**

CNT+2:7'

SEGMENT		SEGMENT NO.	SEGMENT NAME	M/C/R	PIC	DESCRIPTION
UNT	+		MESSAGE TRAILER	M		
		0074	Number of segments in a message	M	n.6	Total number of segments in the message
		0062	+	Message reference number	M	an.14

**Remarks:**

This segment is used to separate the detail and summary sections of the message.

**Example:**

UNT+12+ 00000000000001'

SEGMENT		SEGMENT NO.		SEGMENT NAME	M/C/R	PIC	DESCRIPTION
UNZ	+			INTERCHANGE TRAILER	M		
		0036		Interchange Control Count	M	n.6	Number of messages or functional groups within the interchange.
		0020	+	Interchange Control reference	M	an.14	The message reference numbered detailed here should equal the one specified in the UNB segment

**Remarks:**

This segment is used to provide the trailer of an interchange.

**Example:**

UNZ+1+0000009234555'

**EXAMPLES:**

UNA:+.? '  
 UNB+UNOA:3+3012443300100:14+3020400999909:14+191021:1400+006'  
 UNH+1+ORDRSP:D:96A:UN:EAN005'  
 BGM+231+91237699+29'  
 DTM+137:20191021:102'  
 RFF+ON:0601057591'  
 DTM+171:20191015:102'  
 RFF+UC:0021206827'  
 DTM+171:20191015:102'

NAD+BY+3020400250000::9'  
NAD+SU+3012443300100::9'  
NAD+DP+3020400000001::9'  
CUX+2:EUR:9+3:EUR:4'  
LIN+1+5+3244336123447:EN'  
PIA+5+3244336123447:SA'  
IMD+E+ANM+:::POELE A BOIS LUDIA 10 KW'  
QTY+113:1:EA'  
DTM+2:20191113:102'  
PRI+AAA:511.48::NTP:1:EA'  
RFF+LI:00001'  
UNS+S'  
CNT+2:1'  
UNT+19+1'  
UNZ+1+006'

